

REV	DOCUMENT	CHANGED BY	CHECK
3	0033382	AB	30AUG07

CPX

SERIES
DESIGNATES PRESSURE
- NO DESIGNATION (PSI)

ACCURACY GRADE
C - COMMERCIAL GRADE
- NO DESIGNATION
COMMERCIAL GRADE

PORT OPTION
F - AXIAL
- NO PORT/O-RING SEAL

PRESSURE RANGE
05, 15, 30,
60, 100, 150 PSIA

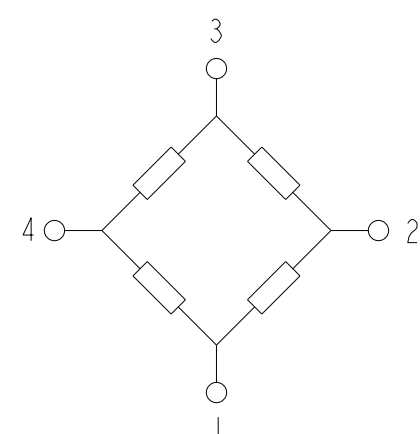
PRESSURE REFERENCE
A - ABSOLUTE

CATALOG LISTINGS

②
CPX15AF
②
③
③

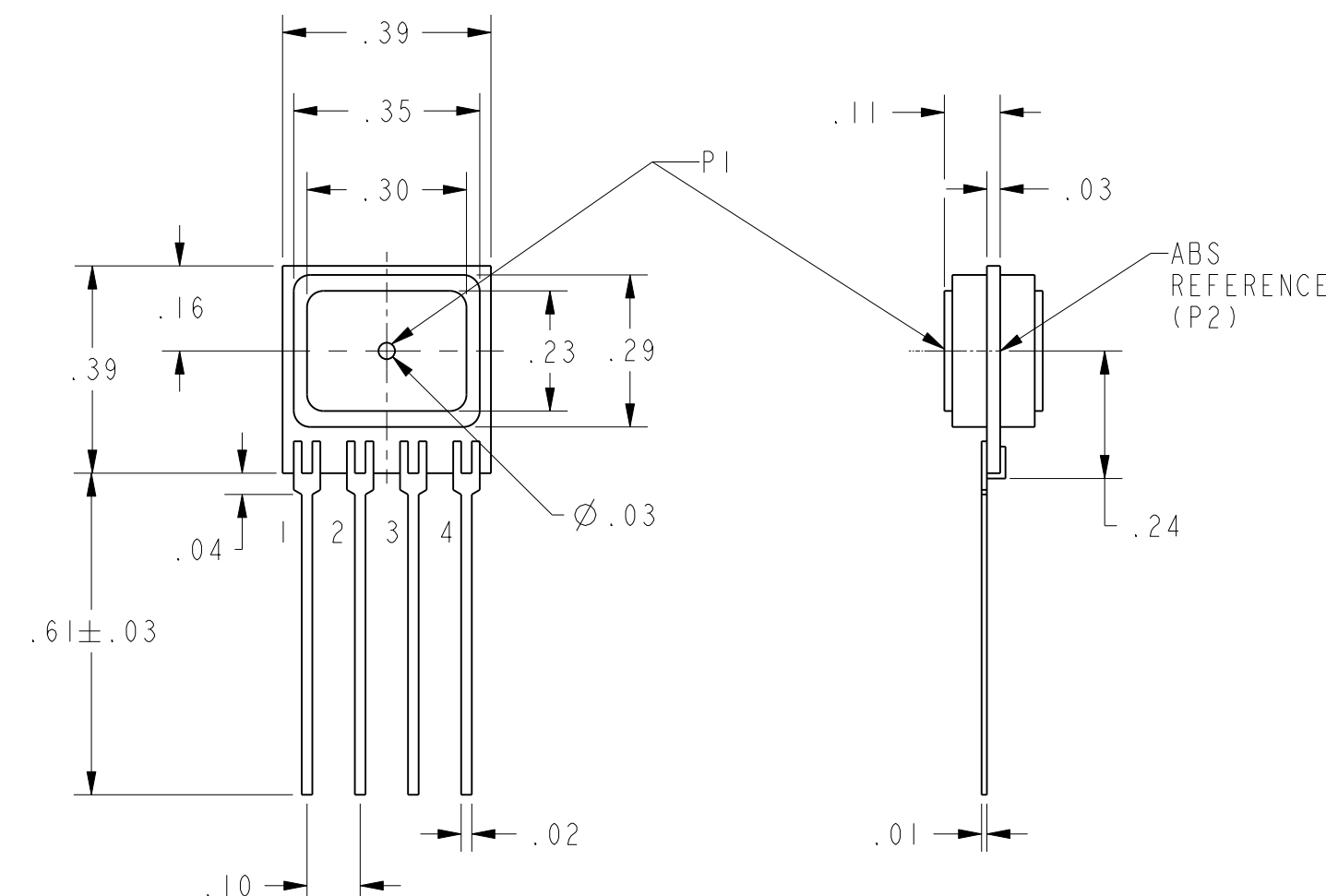
CPX A STYLE (ABSOLUTE)	PERFORMANCE AT 25°C AND 5±0.01 Vdc (UNLESS OTHERWISE STATED)						
	C-GRADE			UNITS	FULL SCALE PRESSURE PSI	PROOF PRESSURE PSI	BURST PRESSURE PSI
	MIN	NOM	MAX				
OFFSET (0 PSIA) (FOR ALL ABSOLUTE LISTINGS)	-50	0	50	mV			
5 PSIA SPAN (P1>P2)	112	168.5	225	mV	5	15	25
15 PSIA SPAN (P1>P2)	168	253	338	mV	15	45	75
30 PSIA SPAN (P1>P2)	168	253	338	mV	30	90	150
60 PSIA SPAN (P1>P2)	189	263.5	338	mV	60	180	300
100 PSIA SPAN (P1>P2)	210	295	380	mV	100	250	400
150 PSIA SPAN (P1>P2)	187	262.5	338	mV	150	250	400
TEMPERATURE CHANGE BRIDGE RESISTANCE	---	2600	---	ppm/°C			
TEMPERATURE CHANGE SPAN	---	-1800	---	ppm/°C			
COMBINED LINEARITY AND HYSTERESIS ^②	---	---	1	% SPAN			

GENERAL OPERATING CHARACTERISTICS	ALL PRESSURES AND GRADES			
	MIN	NOM	MAX	UNITS
EXCITATION VOLTAGE	---	5	12	Vdc
INPUT RESISTANCE	---	3000	---	OHMS
OUTPUT RESISTANCE	---	3000	---	OHMS
OPERATING TEMPERATURE	-25	25	85	°C
STORAGE TEMPERATURE	-40	---	125	°C

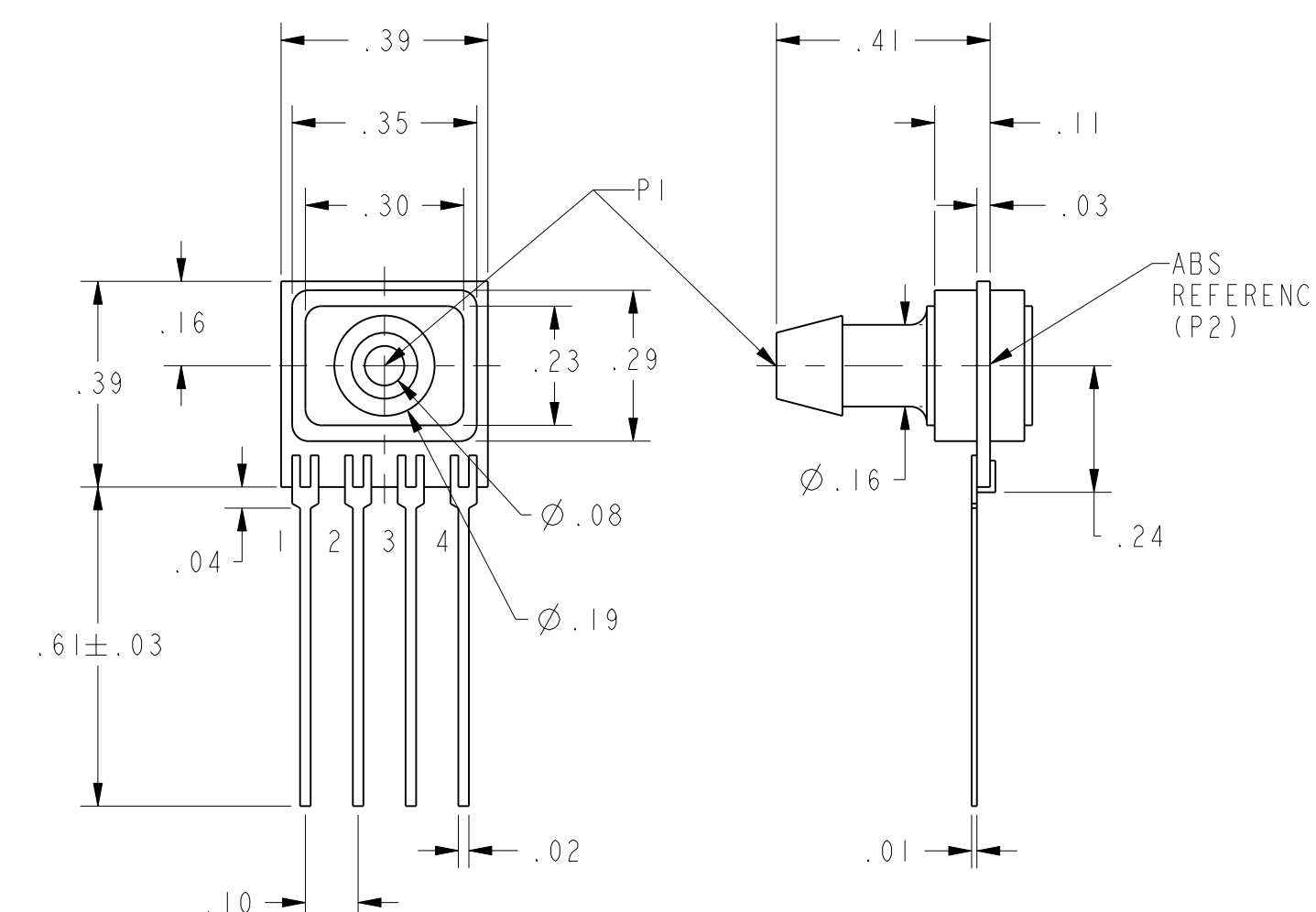


EQUIVALENT CIRCUIT

PIN OUT	
1	-V EXCITATION
2	+ OUTPUT SIGNAL
3	+ V EXCITATION
4	- OUTPUT SIGNAL



A HOUSING



AF HOUSING

- NOTES**
- 1 - SPAN IS THE ALGEBRAIC DIFFERENCE BETWEEN THE OUPUT AT FULL SCALE PRESSURE AND THE OFFSET OUTPUT
 - ^② LINEARITY IS MEASURED AT 1/2 FULL SCALE PRESSURE USING BEST STRAIGHT LINE FIT
 - 3 - THE OUTPUT OF THE SENSOR IS PROPORTIONAL, RATIOMETRIC, TO THE EXCITATION VOLTAGE. ALL SPECIFICATIONS WILL NOMINALLY BE CHANGED BY THE RATIO OF $V_{EXCITATION}/5.0$ Vdc
 - 4 - LIMIT SOLDERING TO 315°C FOR LESS THAN 10 SECONDS
 - 5 - APPLYING PRESSURE TO PORT INDICATED ON THE DRAWINGS SHOWN
 - 6 - SENSORS ARE OPERATIONAL OVER VACUUM PRESSURE RANGE
 - 7 - P1 INPUT MEDIA RESTRICTED TO DRY GASES ONLY

UNLESS OTHERWISE SPECIFIED TOLERANCES ARE:	<input checked="" type="checkbox"/> US (inch) CUSTOMARY	<input type="checkbox"/> SI (mm) METRIC	DRAWN	TRF	19MAR01	Honeywell
NO PLACE	X	±.040 ±1	CHECK	SAV	19MAR01	
ONE PLACE	.X	±.030 ±0,4	THIS DRAWING COVERS A PROPRIETARY ITEM AND IS THE PROPERTY OF HONEYWELL. THIS DRAWING IS NOT TO BE COPIED OR USED WITHOUT THE PERMISSION OF HONEYWELL.			TITLE
TWO PLACE	.XX	±.015 ±0,15	THIRD ANGLE PROJECTION			SIZE DWG TYPE DRAWING NAME
THREE PLACE	.XXX	±.005 ±	DIMENSIONS ARE TO BE MET BEFORE PROTECTIVE COATINGS ARE APPLIED			C I CPX ABS SERIES CHART 1
ANGLES	±	±	3D PTC			SCALE 3:1 WEIGHT SHEET 1 OF 1
RAW MATERIAL-COMMERCIAL STANDARD			ASME Y14.5M-1994			REV 3